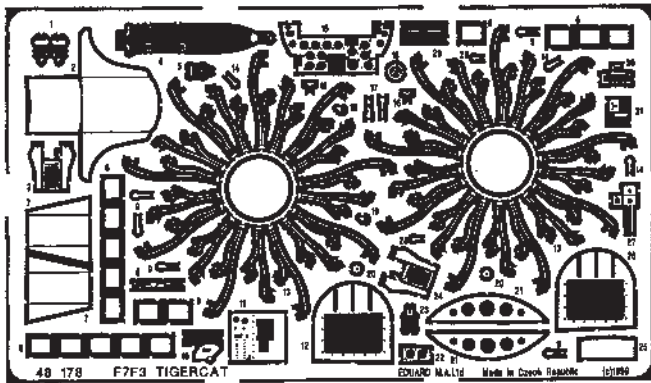









F7F-3

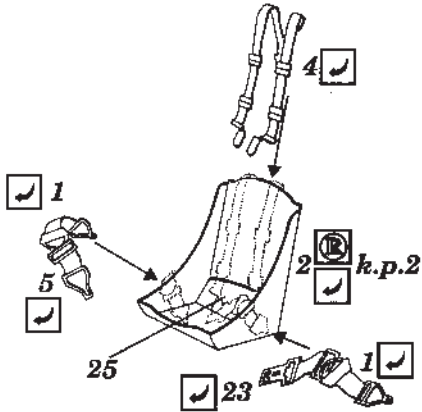
48 178

1/48 scale detail set for AMT/Ertl kit

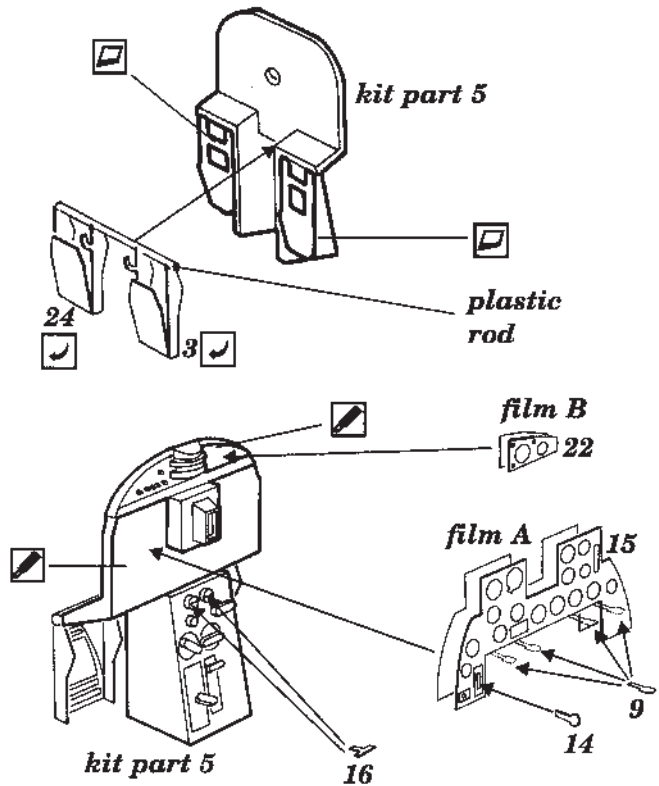


-  OPPOSITE SIDE
-  REMOVE
-  BEND
-  REPLACE
-  GRIND

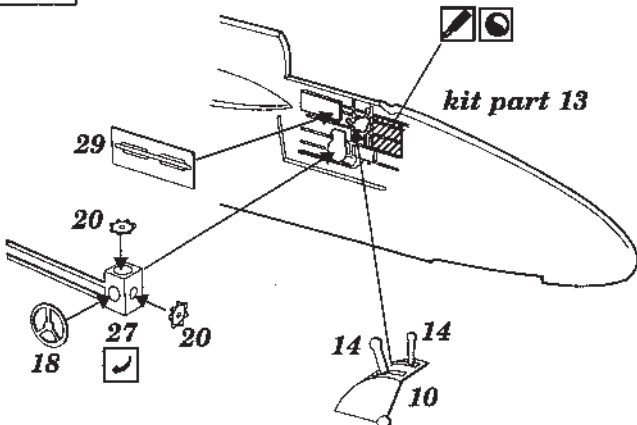
A SEAT



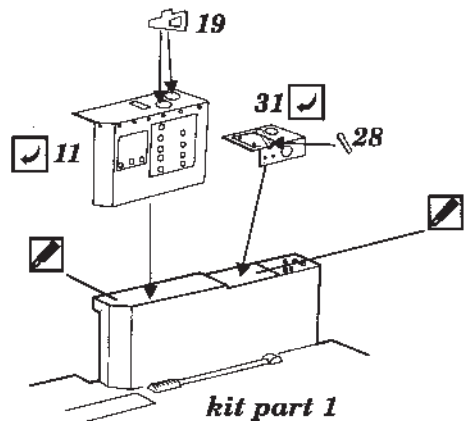
B INSTRUMENT PANEL



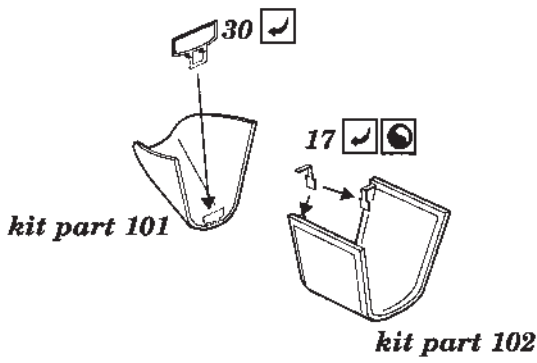
C COCKPIT -LEFT SIDE



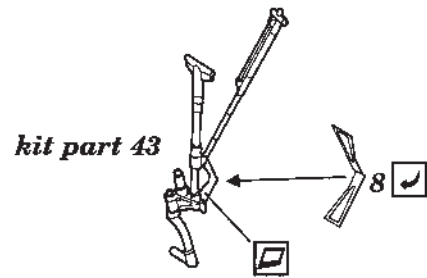
D COCKPIT -RIGHT SIDE



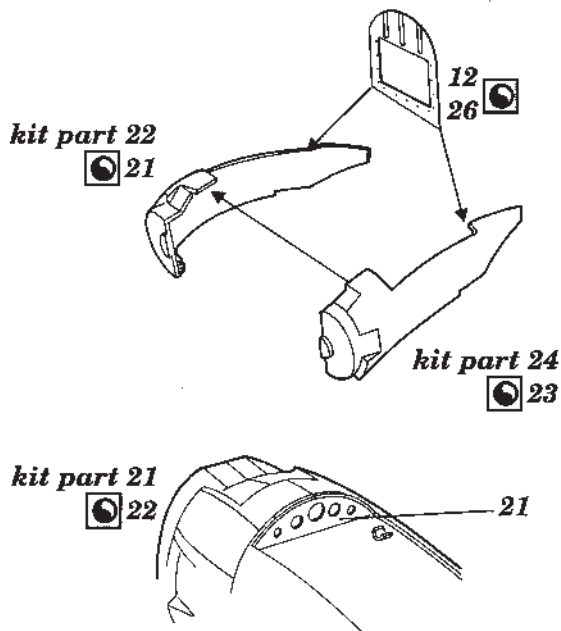
E CANOPY



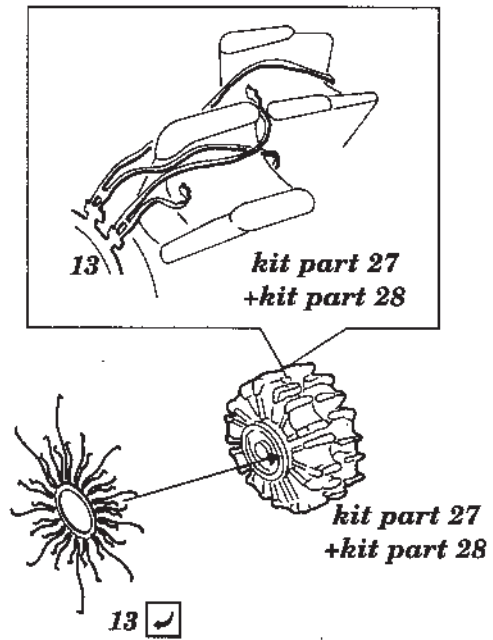
F NOSE UNDERCARRIAGE STRUT



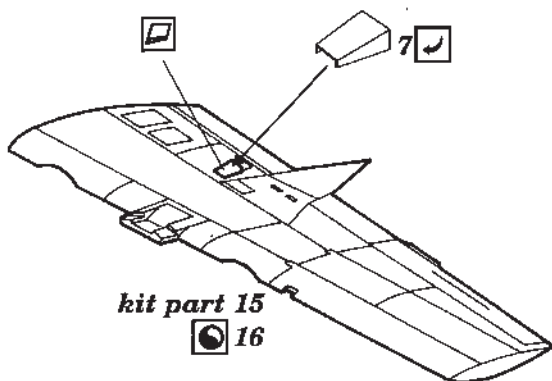
G MAIN WHEEL WELL



H ENGINE



I EXHAUST



J HVAR ROCKET

